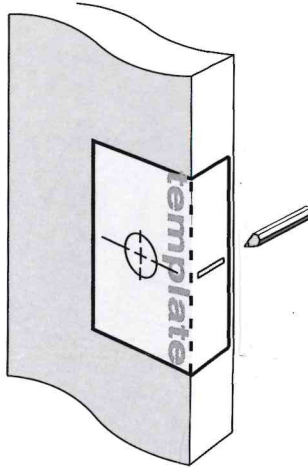


542 Square Passage Set and 537 Circular Passage Set (Refer to drawing on reverse)

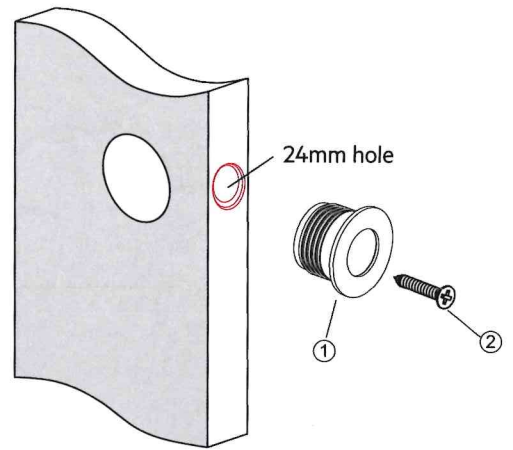
Step 1. Door Preparation

- Fold template where indicated.
- Position template on door edge at desired latch height.
- Firmly hold template and mark finger pull height and through hole centre at required backset. (refer template).
- Measure door thickness and mark centre.
- At required backset drill pilot hole - suggested size 3mm.
- Enlarge hole to 54mm as required, drilling from both sides of the door.
- Drill 24mm hole in door edge for finger pull.



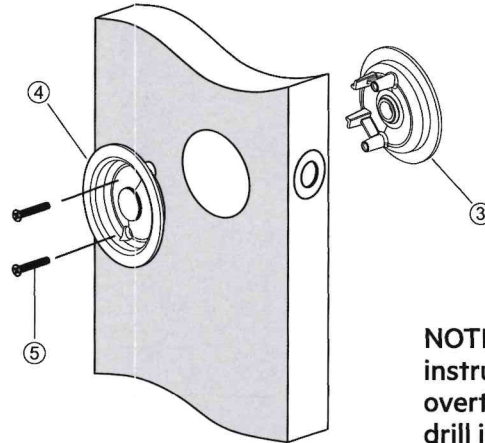
Step 2. Finger Pull Installation

- Fasten with screw (2) provided.



Step 3. Final Assembly

- Assemble the external unit (3) with posts for screws to the door.
- Assemble to internal unit with screw holes to the door (4).
- Fasten unit with screws (5) provided.



NOTE: Carefully follow these instructions when installing. Do not overtighten screws. Use of power drill is not recommended.



Note: Installation instructions also apply to 542 Square Sliding Cavity Door Passage Set

Installation template for Sliding Cavity Door Lock

FOLD HERE

Fit here on door edge

Mark centre-line of latch hole

Mark centre-line of latch hole

54mm hole

BACKSET 60mm

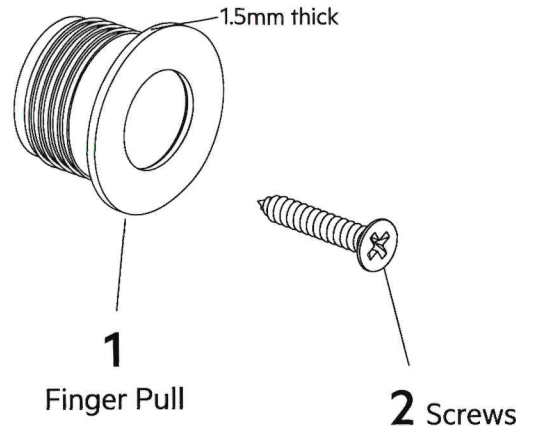
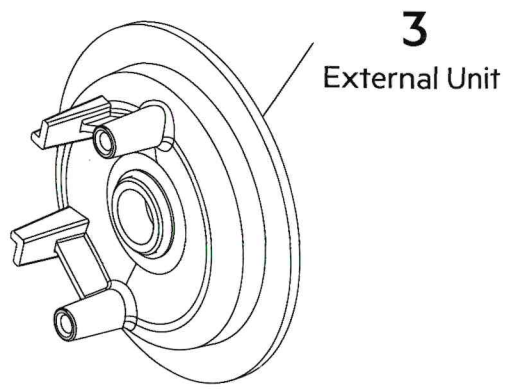
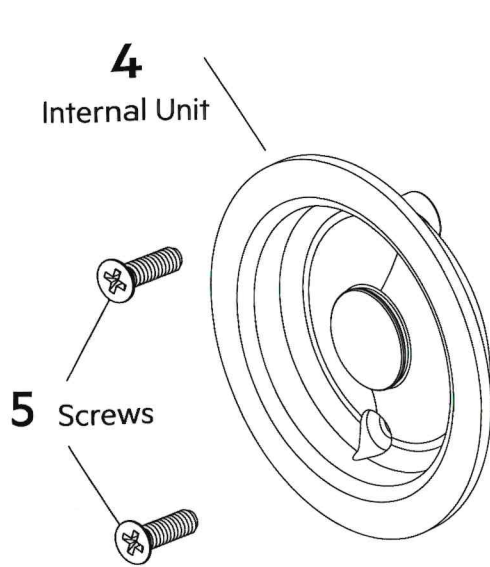
Fit here on door edge

Installation template for Sliding Cavity Door Passage Set

Miles Nelson
Architectural Hardware est. 1928

milesnelson.co.nz

542 Square Passage Set and 537 Circular Passage Set



Miles Nelson[®]
Architectural Hardware est. 1928

milesnelson.co.nz